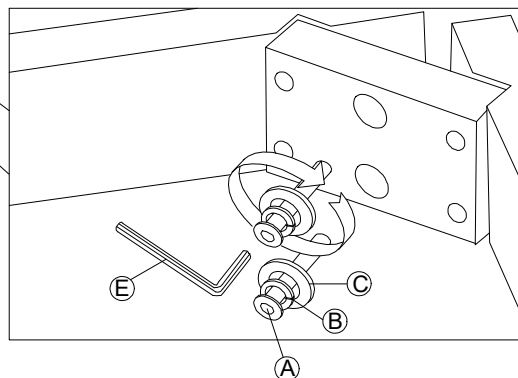
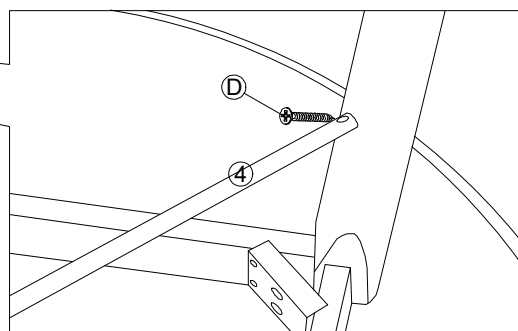
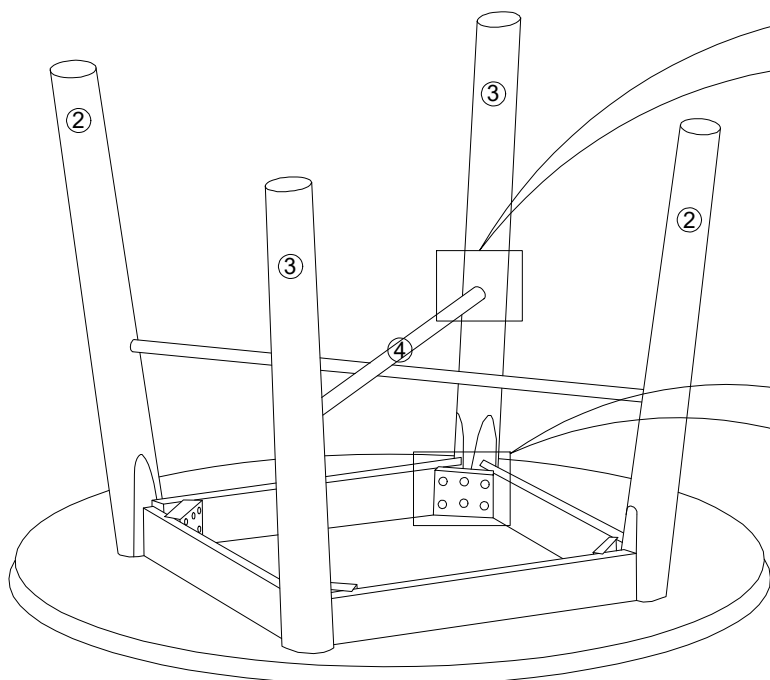
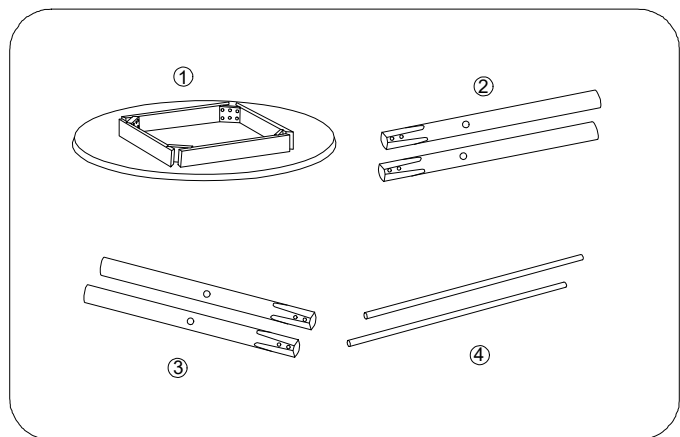
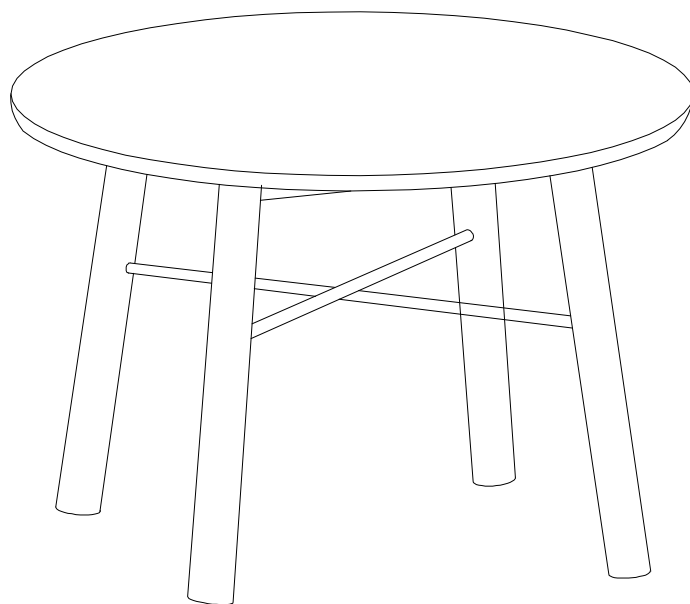
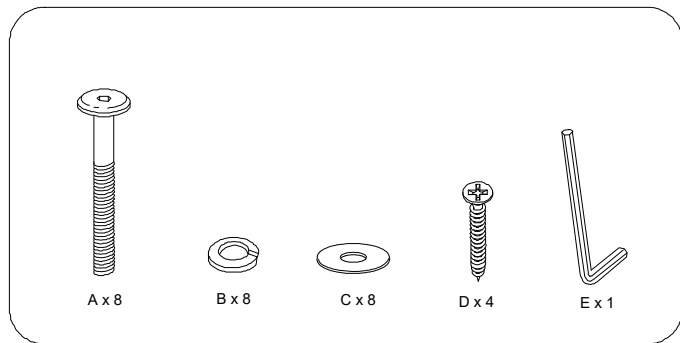


ASSEMBLY INSTRUCTIONS

DENMARK DINING TABLE

Please check that all parts shown on the instruction sheets are in the in the box as soon as you open it and before you dispose of the packaging . Immediately contact the store from which you purchased if any parts or hardware are missing . Assemble on a smooth soft surface . Do not tighten the screws and bolts untill the final stage of assembly . Place screws and bolts into position and finger tighten . Place chair on a flat level surface and ensure chair is level . Tighten screws and bolts with allen key provided and philips head screwdriver . Do not over tighten screws and bolts .

NOTES : Screws and bolts may require periodic re-tightening with use . Hard floor surfaces such as tiles and timber can be uneven . Please check that chair rocking issues are not due to this fact before seeking product service.

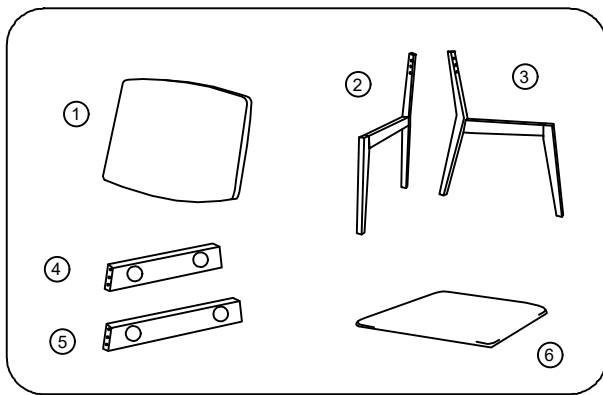
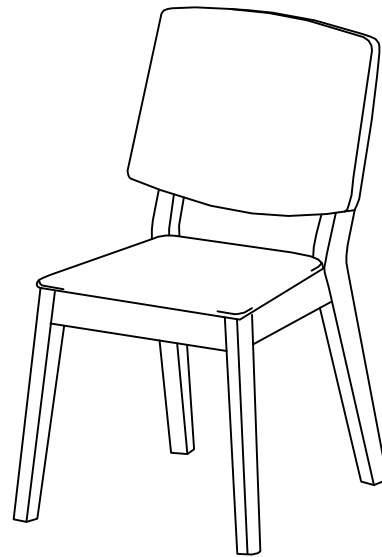
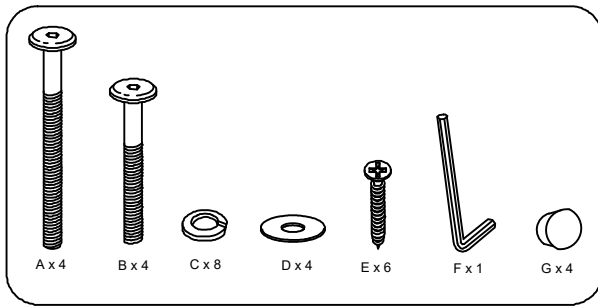


ASSEMBLY INSTRUCTIONS

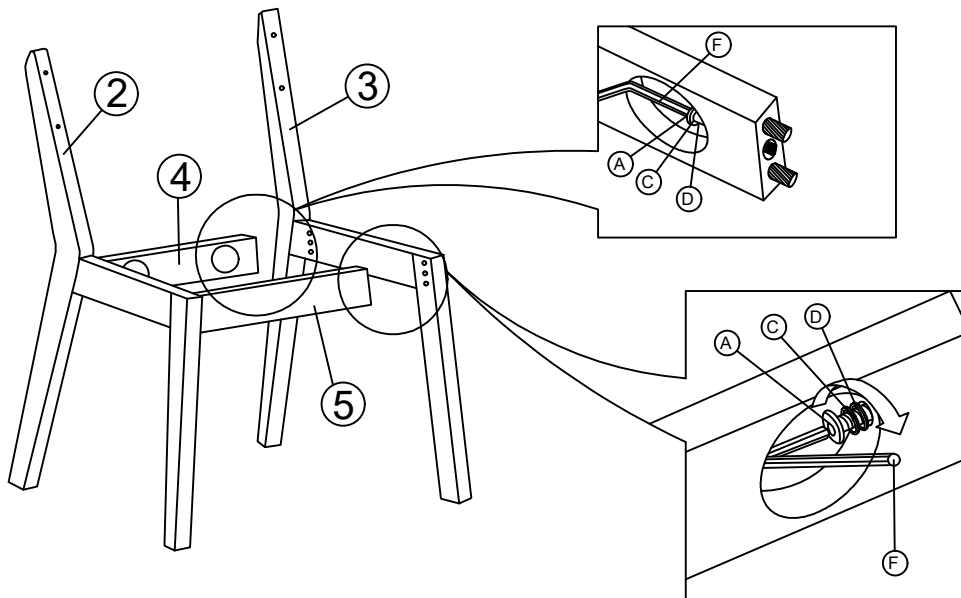
DENMARK DINING CHAIR

Please check that all parts shown on the instruction sheets are in the in the box as soon as you open it and before you dispose of the packaging . Immediately contact the store from which you purchased if any parts or hardware are missing . Assemble on a smooth soft surface . Do not tighten the screws and bolts untill the final stage of assembly . Place screws and bolts into position and finger tighten . Place chair on a flat level surface and ensure chair is level . Tighten screws and bolts with allen key provided and philips head screwdriver . Do not over tighten screws and bolts .

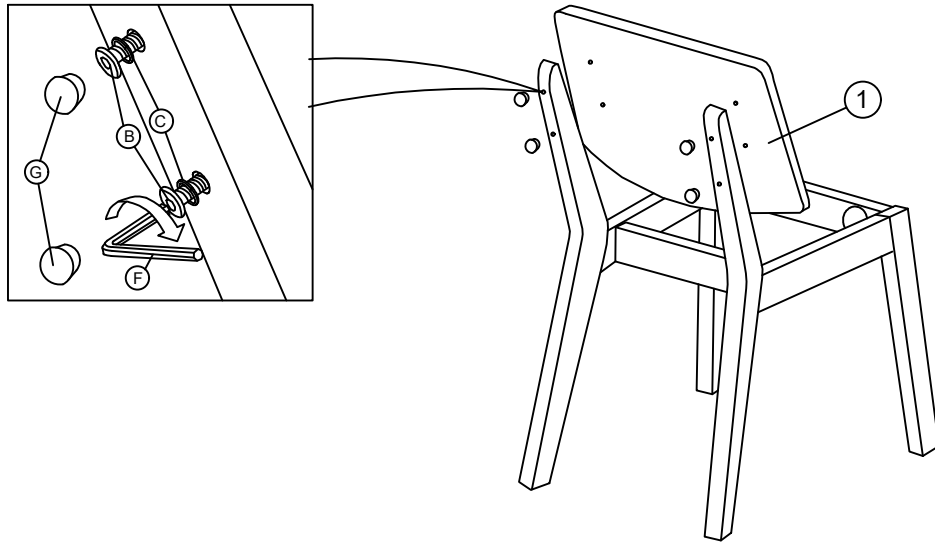
NOTES : Screws and bolts may require periodic re-tightening with use . Hard floor surfaces such as tiles and timber can be uneven . Please check that chair rocking issues are not due to this fact before seeking product service.



1



2



3

